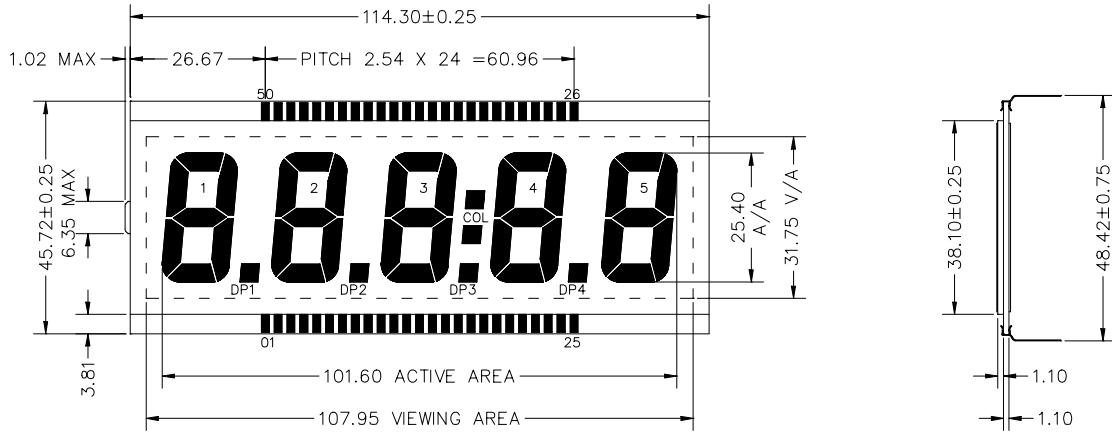


# STANDARD LCD PANEL

## CT1010



PIN	1	2	3	4	5	6	7	8	9	10	11	12	13	14	15	16	17	18	19	20
COM	COM	NC	NC	NC	NC	1E	1D	1C	DP1	2E	2D	2C	DP2	3E	3D	3C	DP3	4E	4D	4C

PIN	21	22	23	24	25	26	27	28	29	30	31	32	33	34	35	36	37	38	39	40
COM	DP4	5E	5D	5C	5B	5A	5F	5G	4B	4A	4F	4G	COL	3B	3A	3F	3G	2B	2A	2F

PIN	41	42	43	44	45	46	47	48	49	50
COM	2G	NC	1B	1A	1F	1G	NC	NC	NC	COM