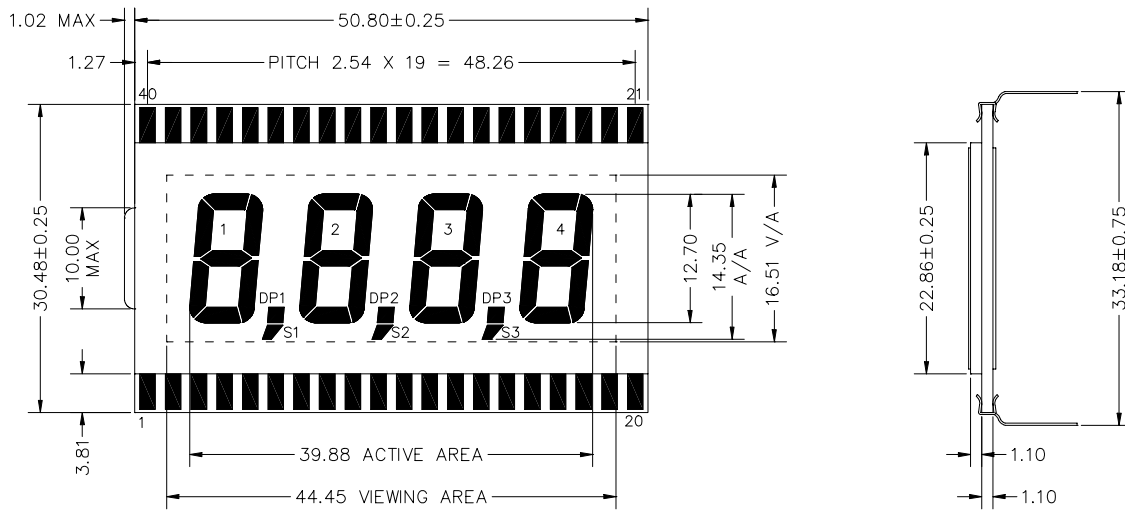


STANDARD LCD PANEL

CT1008



PIN	1	2	3	4	5	6	7	8	9	10	11	12	13	14	15	16	17	18	19	20
COM	COM	1E	1D	1C	S1	DP1	2E	2D	2C	S2	DP2	3E	3D	3C	S3	DP3	4E	4D	4C	NC
PIN	21	22	23	24	25	26	27	28	29	30	31	32	33	34	35	36	37	38	39	40
COM	4B	4A	4F	4G	NC	3B	3A	3F	3G	NC	2B	2A	2F	2G	NC	1B	1A	1F	1G	COM