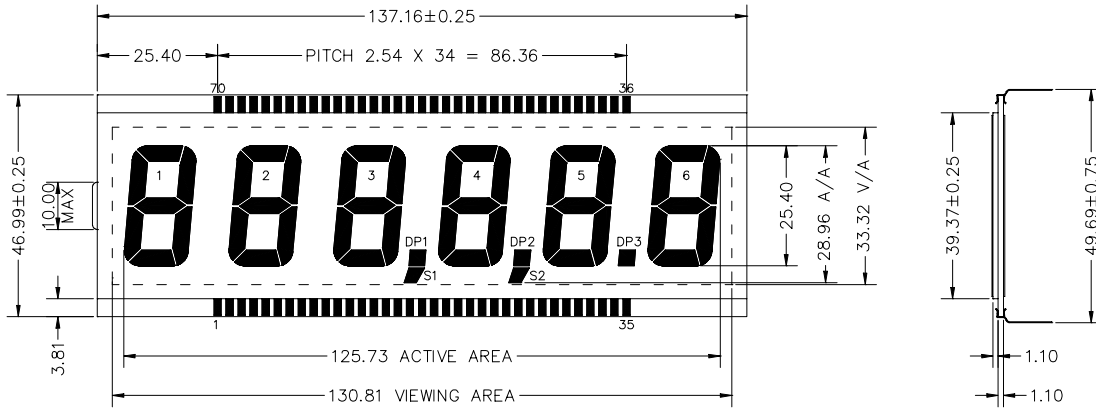


STANDARD LCD PANEL

CT1006



PIN	1	2	3	4	5	6	7	8	9	10	11	12	13	14	15	16	17	18	19	20
COM	COM	1E	1D	1C	2E	2D	2C	NC	NC	3E	NC	3D	NC	NC	3C	NC	S1	NC	DP1	4E
PIN	21	22	23	24	25	26	27	28	29	30	31	32	33	34	35	36	37	38	39	40
COM	NC	NC	4D	4C	NC	S2	NC	DP2	5E	5D	5C	DP3	6E	6D	6C	6B	6A	6F	6G	5B
PIN	41	42	43	44	45	46	47	48	49	50	51	52	53	54	55	56	57	58	59	60
COM	5A	5F	5G	NC	NC	4B	4A	NC	NC	4F	4G	NC	NC	3B	NC	NC	NC	3A	3F	3G
PIN	61	62	63	64	65	66	67	68	69	70										
COM	NC	2B	2A	2F	2G	1B	1A	1F	1G	COM										