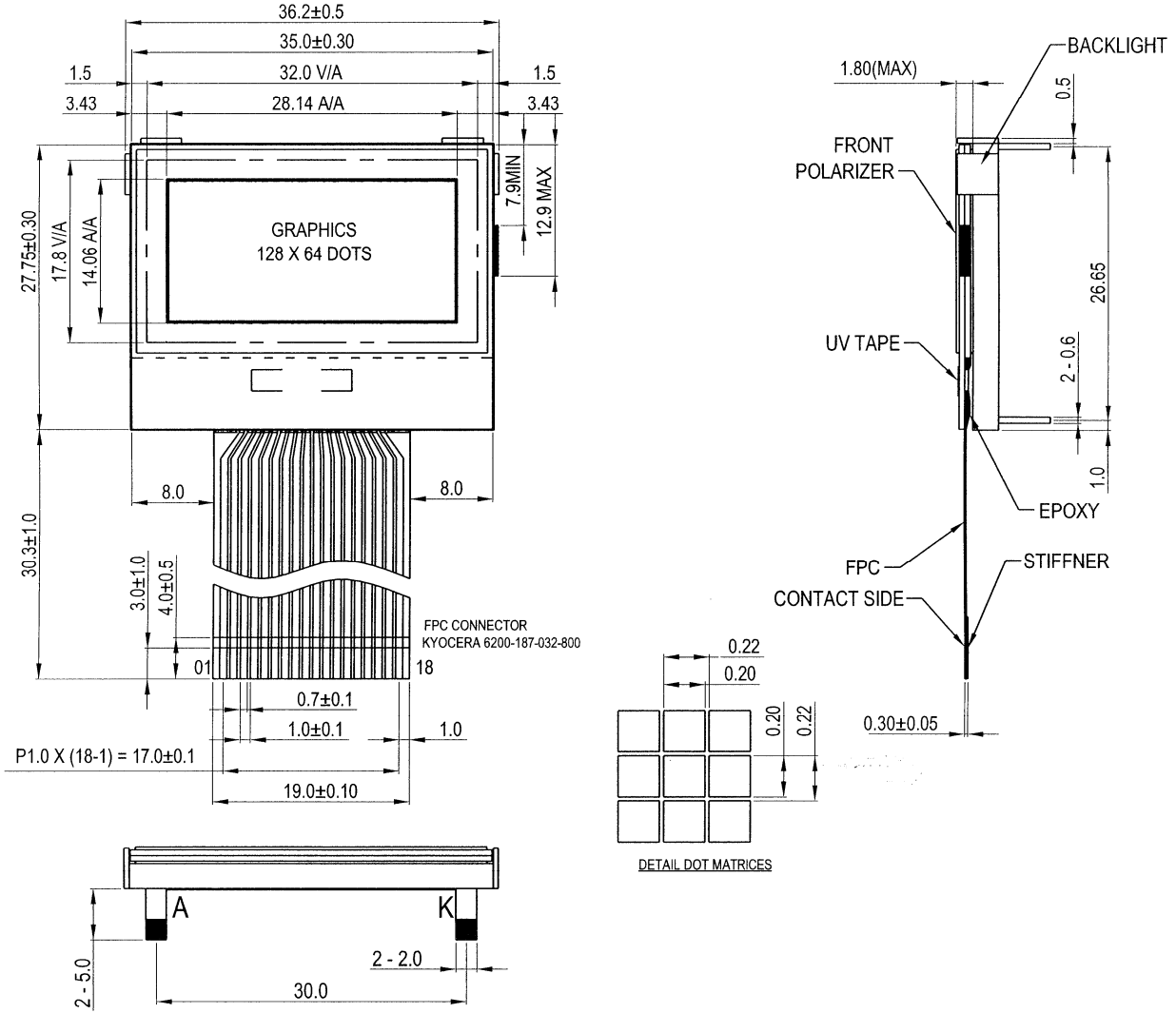


# G64128X05 . . . . .OUTLINE DIMENSION AND ELECTRICAL SPECIFICATION



- NOTE :-**
- 1.VDD = 2.7V (TYP); 3.6V (MAX)
  - 2.VLCD = 8.4V ±5% (TYP)
  - 3.IDD = 0.10mA (TYP); 0.25mA (MAX)
  - 4.DUTY CYCLE = 1/65
  - 5.BIAS = 1/9
  - 6.CONTROLLER = S6B0724
  - 7.CONNECTOR = FPC
  - 8.UNMARKED TOLERANCES = ±0.30mm

### PIN ASSIGNMENT

PIN	1	2	3	4	5	6	7	8	9
SYMBOL	CS1B	RESB	RS	SCLK	SID	VDD	VSS	VOUT	C3+

PIN	10	11	12	13	14	15	16	17	18
SYMBOL	C1-	C1+	C2+	C2-	V1	V2	V3	V4	V0

### BACKLIGHT OPTION

LED COLOR	OPTION	VOLTAGE(V)	FORWARD CURRENT(mA)		
			MIN	TYP	MAX
YELLOW GREEN	NO	-	-	-	-
WHITE	NO	-	-	-	-
BLUE	NO	-	-	-	-